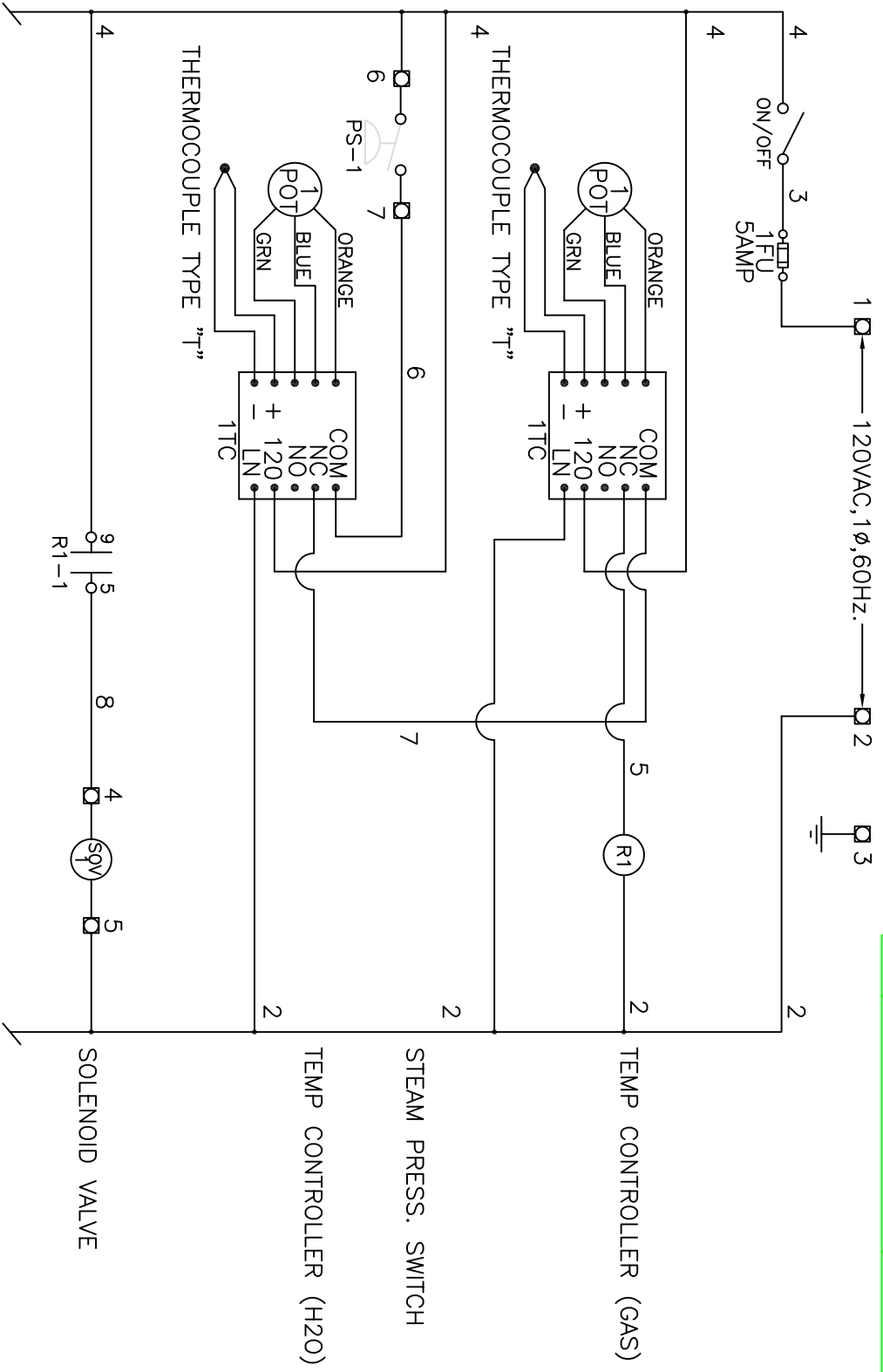




REV	DESCRIPTION	REVISED BY	DATE	APPR
-	-	-	-	-





CRYOGENIC EXPERTS * CRYOGENIC COMPONENTS

100 West Easy Street, Simi Valley, California 93065
Toll Free 1-800-FOR-CEXI OR Phone (805) 850-8631 Fax: (805) 520-8640



APPROVALS	DATE	TITLE
DESIGN: TDD	8-23-00	STEAM HEATED WATER BATH ELECTRICAL SCHEMATIC
CHECKED:		MODEL SHWBES-LTCO-ASV-120V
MANUF:	SIZE FSCM NO. A 55429	DWG. NO. A992001-2
RELEASE	SCALE NONE	JOB NUMBER