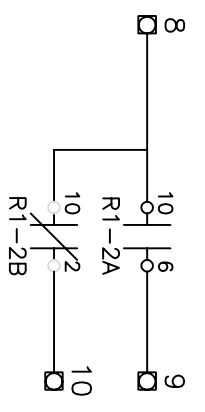
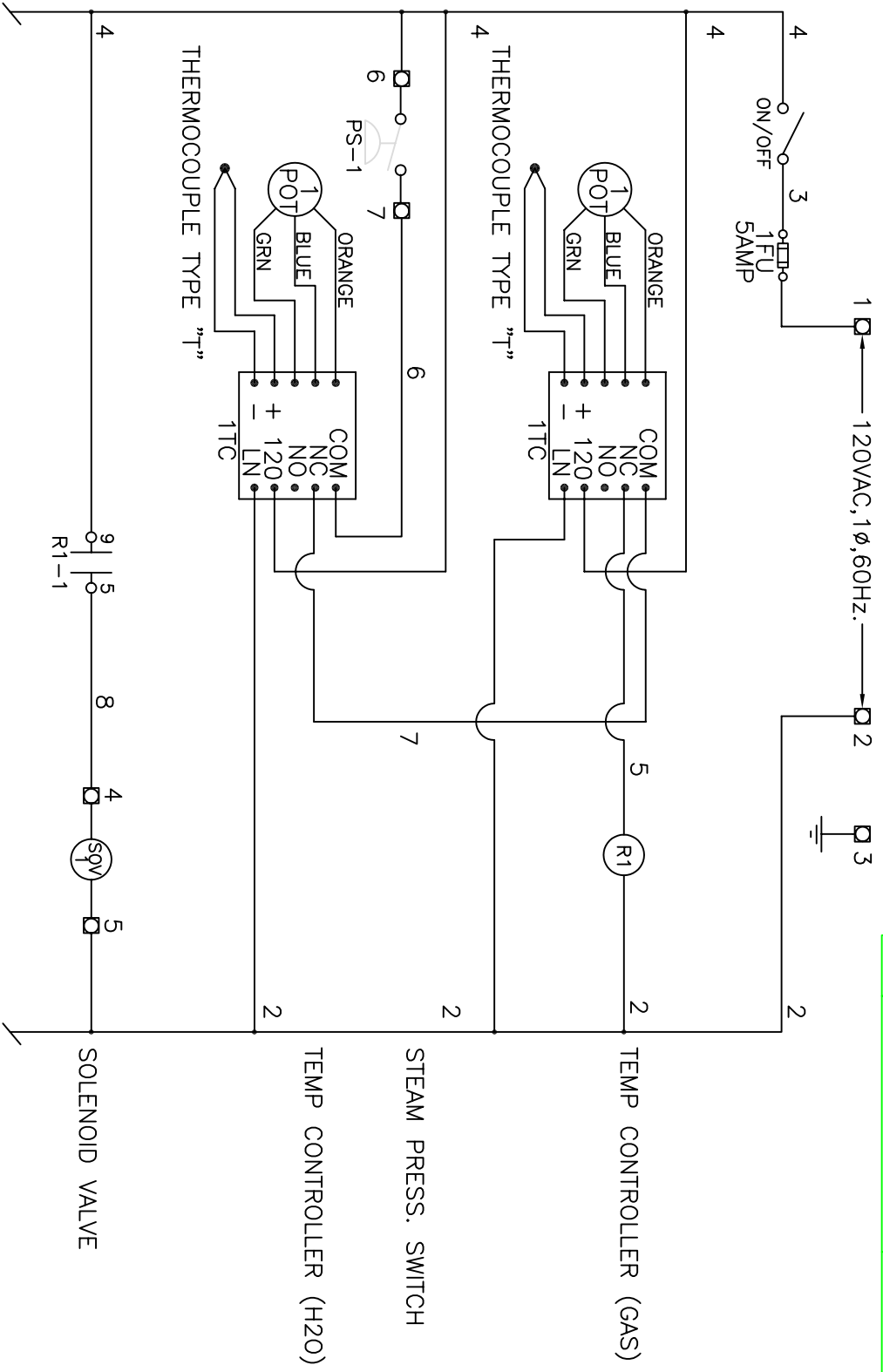




REV	DESCRIPTION	REVISED BY	DATE	APPR
-	-	-	-	-





CRYOGENIC EXPERTS \* CRYOGENIC COMPONENTS

100 West Easy Street, Simi Valley, California 93065  
Toll Free 1-800-FOR-CEXI OR Phone (805) 850-8631 Fax: (805) 520-8640



APPROVALS	DATE	TITLE
DESIGN: TDD	8-23-00	STEAM HEATED WATER BATH ELECTRICAL SCHEMATIC
CHECKED:		MODEL SHWBES-LTCO-ASV-120V
MANUF:		SIZE FSCM NO. DWG. NO. A 55429 A992001-2
RELEASE		SCALE NONE JOB NUMBER SHEET 1 OF 1