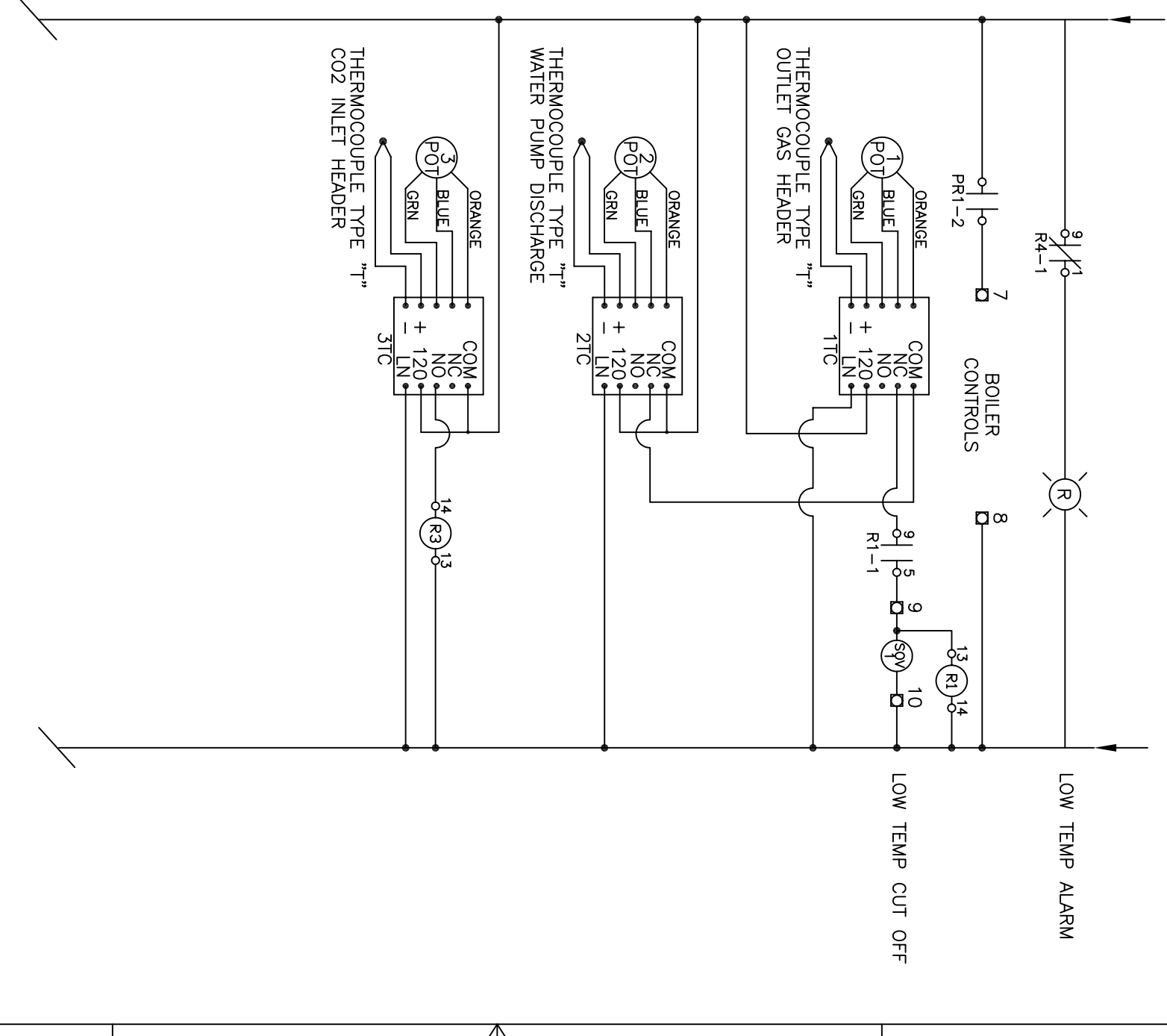
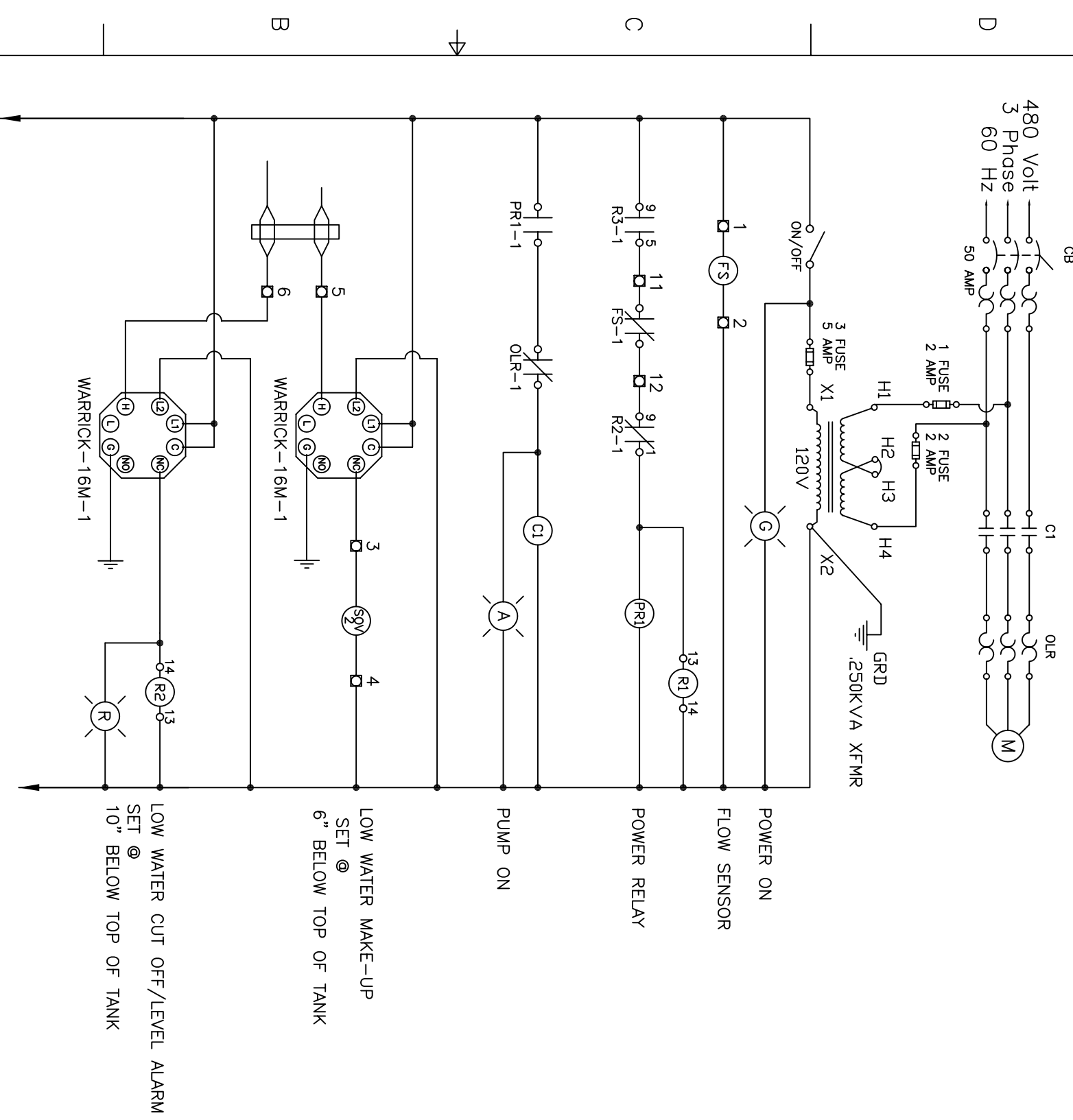


ZONE/REV	DESCRIPTION	E.O.	REVISED BY	DATE	APPR
-	-	-	-	-	-
-	ORIGINAL ISSUE	-	-	-	-



SEE SEPARATE PARTS LIST

EXI OROGENIC EXPERTS
 531 South Collins Street, 2nd Fl., Erie, PA 16512
 Tel: 814-833-8800 Fax: 814-833-8801

UNLESS OTHERWISE NOTED: FRACTIONS 1/16" DECIMALS .001" ANGLES 30° BREAK ALL SHARP EDGES DIMENSIONS ARE IN INCHES ONE ANGLE 30° X041009	APPROVALS DESIGN: TDD CHECKED: MANUF: RELEASED:	DATE 12-13-04	TITLE GAS FIRED STATIC WATER BATH ELECTRICAL SCHEMATIC GFSWB-500	SIZE FROM NO. B 55429	DWG. NO. A992049	REV. -
---	---	------------------	---	--------------------------	---------------------	-----------

SCALE NTS JOB NUMBER SHEET 1 OF 1