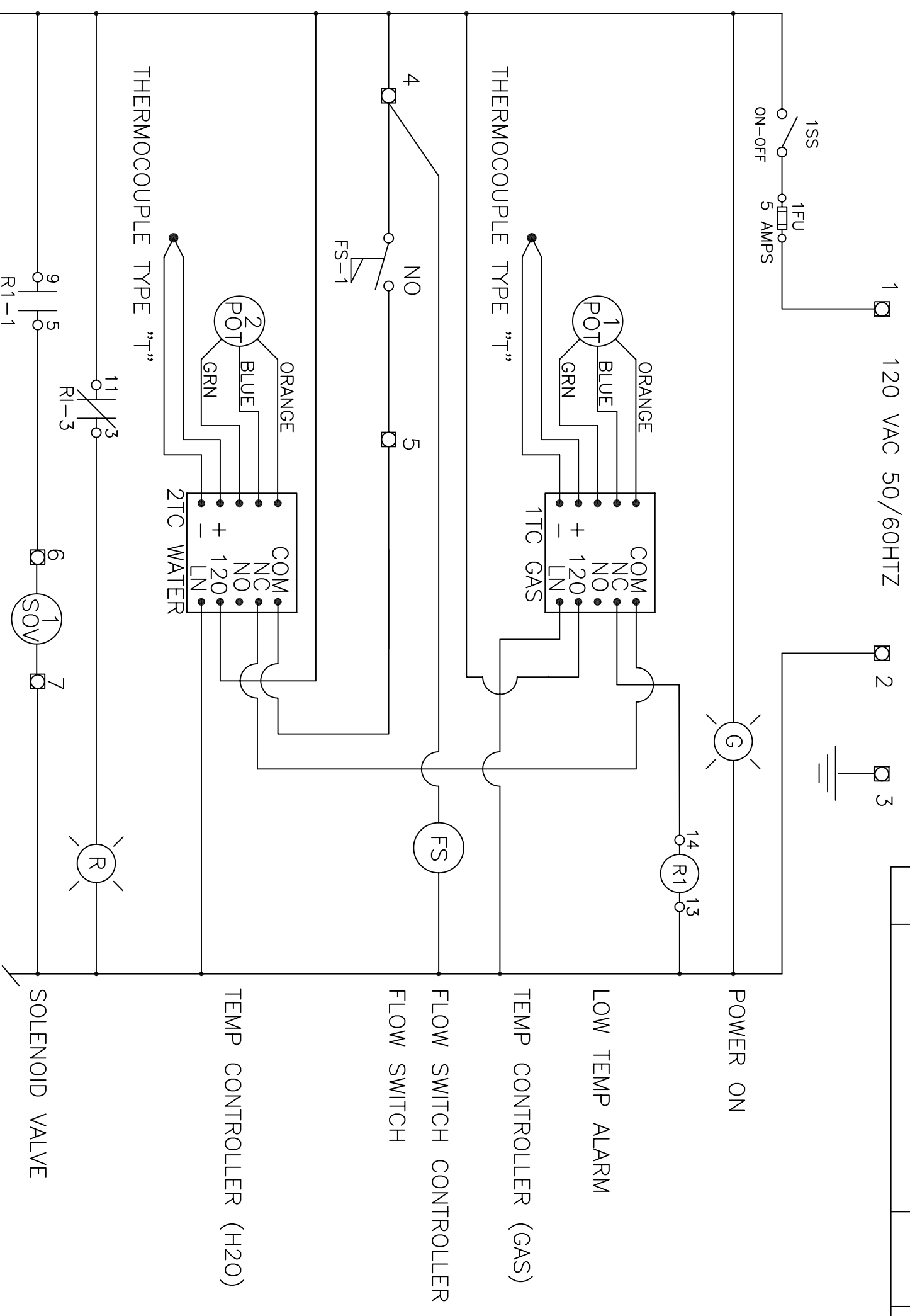


REV LTR	DESCRIPTION	REVISED BY	DATE	APPR
B	REDRAWN	TDD	5-30-01	



CEXI CRYOGENIC EXPERTS * CRYOGENIC COMPONENTS

100 West Easy Street, Simi Valley, California 93065
Toll Free 1-800-FOR-CEXI OR Phone (805) 850-8631 Fax: (805) 520-8640

CEI

APPROVALS	DATE	TITLE
DESIGN: TDD	03-08-02	FORCED CONVECTION WATER BATH ELECTRICAL SCHEMATIC
CHECKED:		MODEL FCWB-LTCO
MANUF:	SIZE	FSCM. NO.
RELEASE	A	55429
	SCALE	NONE
	JOB NUMBER	A992009-8
	SHEET	1 OF 1